

EXACTRATION™

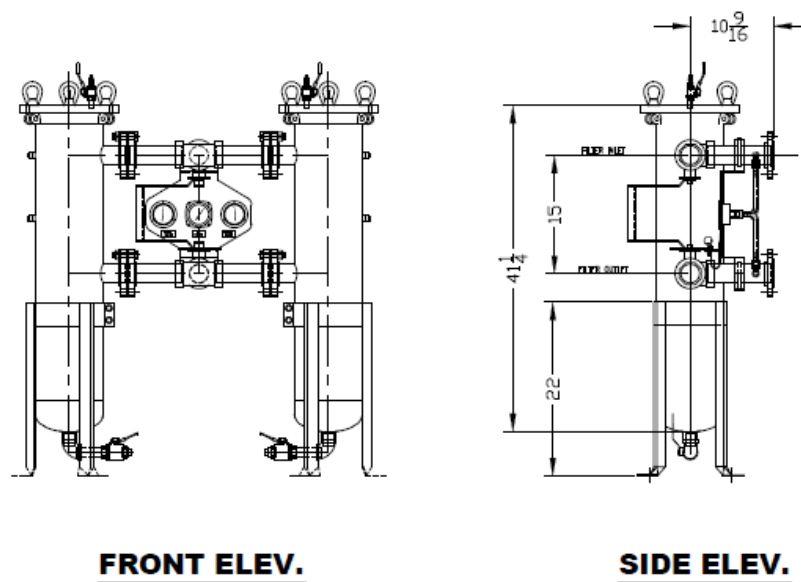
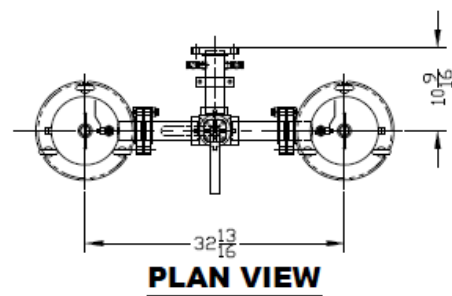
TARGETED FILTRATION • SEPARATION SYSTEMS

DUPLEX BAG FILTRATION

by: EXACTRATION™



BASKET DATA					
Housing Model	Nominal Basket Depth, in	Nominal Basket Diameter, in	Surface Area, Sq. ft	Volume, Cu. In	Bag Size Number
4-6	6	3.9	0.5	65	3
4-12	12	3.9	1.0	130	4
6-12	12	5	1.3	235	7
6-18	18	5	2.0	350	8
6-30	30	5	3.4	630	9
8-15	15	6.7	2.3	500	1
8-30	30	6.7	4.4	1000	2



Corporate Office

194 Harshfield Lane
Shepherdsville, KY 40165

Office: (502) 531-9018
Cell: (502) 376-6442

Click on our Social Media Apps for videos of our products.

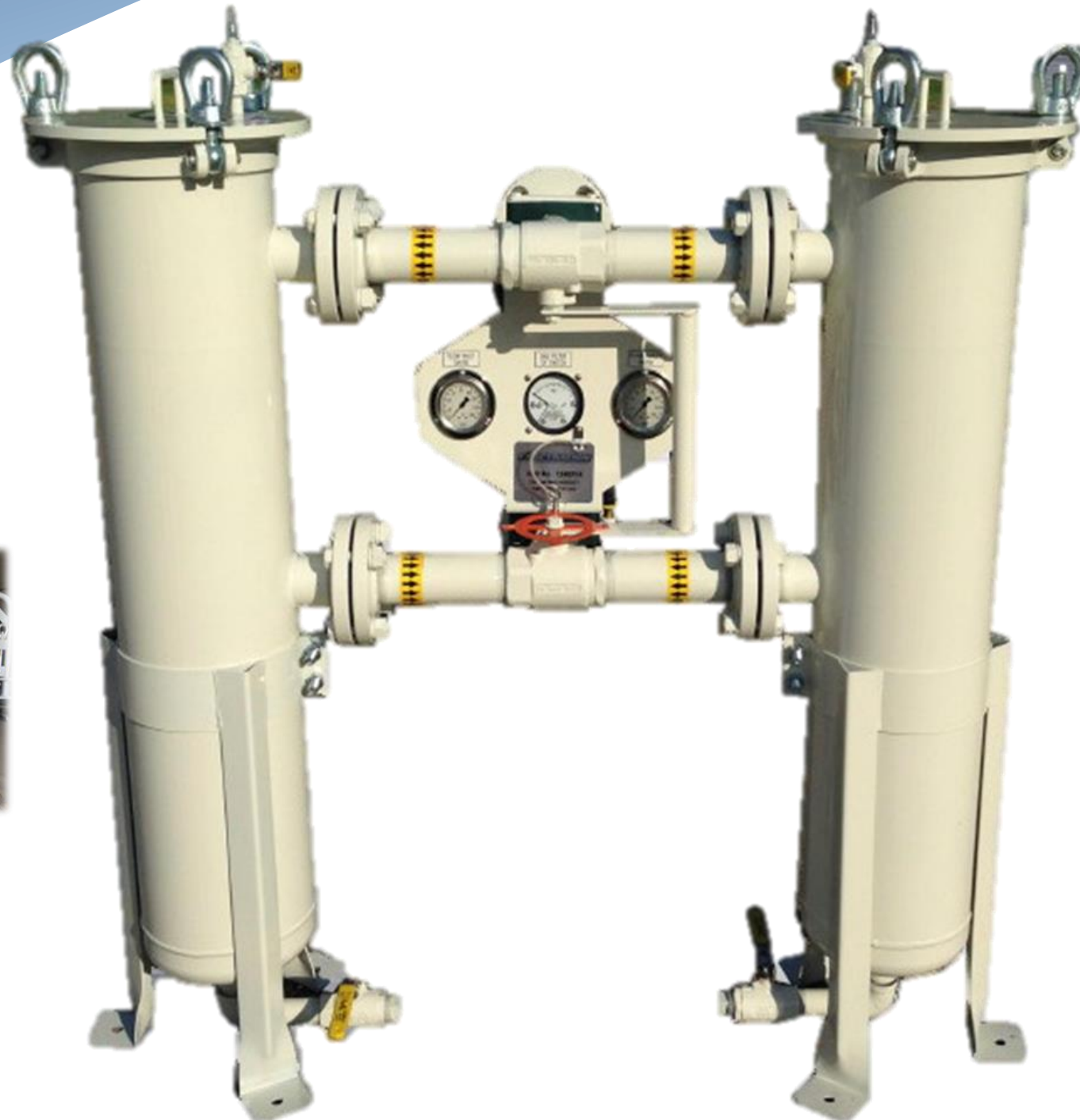


Website: www.exactration.com
Email: Sales@exactration.com



Exactration™'s Duplex Bag Filters combine superior vessels with simple, well thought out components to produce functional filtration at a great value.

These units begin with Exactration™'s standard housings and, unlike other duplex housings on the market, we incorporate quarter turn 3-way ball valves for housing selection. The Exactration™ Duplex has top of the line features, such as an integrated gauge instrumentation panel, cover mounted blow-down fittings for safety purposes and housing drain connections at each housing.



DUPLEX FILTER CRITICAL DESIGN FEATURES

- Housings Constructed from Steel Pipe with a Welded-In Basket Retaining Ring
- Covers are O-Ring Sealed and Removable without Special Tools
- 3-Way Quarter Turn Ball Valves with Single Throw Operator Handle
- Lockable Handle with Flow Indicator
- Gauge Panel Provides Inlet Pressure, Outlet Pressure and Differential Pressure Gauge / Transmitter
- Available in Carbon Steel or Stainless Steel

DUPLEX FILTER ADVANTAGES

- Robust Carbon or Stainless Steel Housings with Eyebolt Cover for Quick Access
- High Dirt Holding Capacity with Multiple Choices in Filter Media
- Use of 3-Way Ball Valves Reduces the Cost and Multiple Joints Associated with Traditionally Used Butterfly Valves
- L-Port Ball Valves Provide Improved Flow Characteristics
- Cover Mounted Blow-Down Fitting and Housing Drain Connection Options

DUPLEX FILTER COMPLEMENTARY PRODUCTS!

Exactration™ can perform an application analysis for your filtration needs and then provide a superior vessel at a great value. Bag Filtration vessels are available in Single, Duplex, Multi-Plex & Skids. Contact us for our full line of Products and help on how to apply those products to your application.



Click on our Social Media Apps for videos of our products.